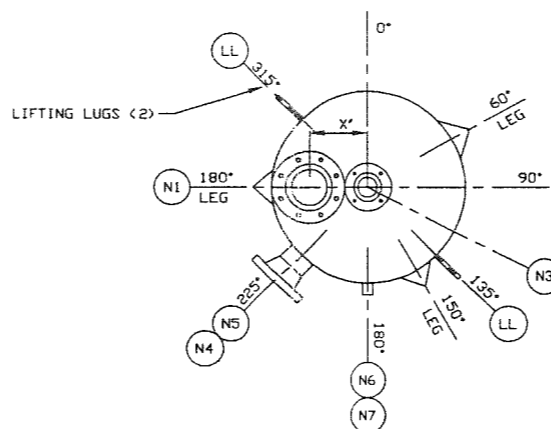
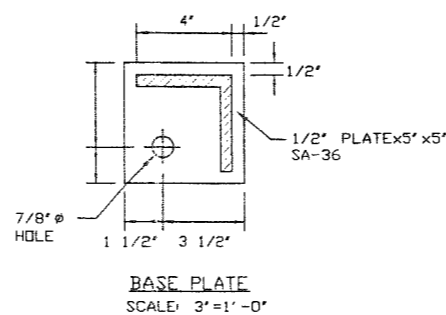
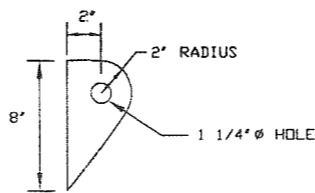
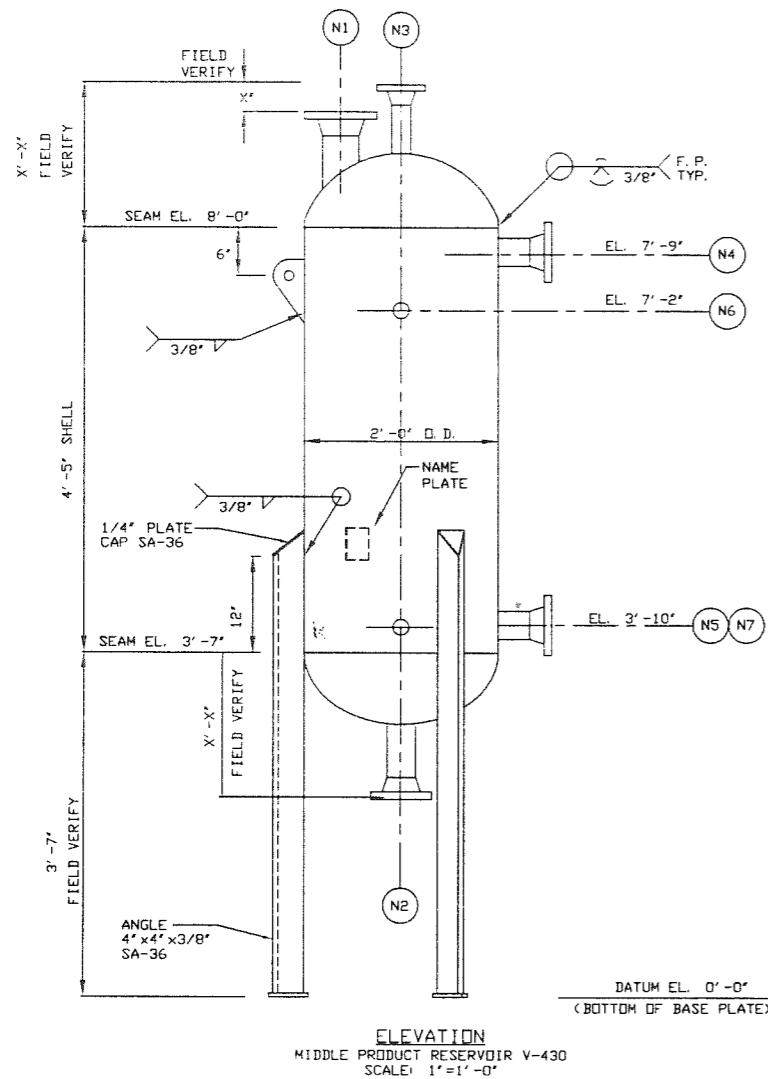


V-430, 460, V990



- NOTES:**
1. FLANGE BOLT HOLE ORIENTATION TO BE FIELD VERIFIED.
 2. NOZZLE ELEVATIONS TO BE FIELD VERIFIED.

APPURTENANCE SCHEDULE

ITEM	SERVICE	QTY	SIZE	DESCRIPTION	ELEVATION	ORIENT.	DETAIL / DWG #
N1	IN	1	4"	150# RFWN	TOP	270°	/ SK-05336-21
N2	OUT	1	3"	150# RFWN	BOTTOM	-	/ SK-05336-21
N3	OUT	1	2"	150# RFWN	TOP	-	/ SK-05336-21
N4	LT/ INST.	1	3"	150# RFWN	7'-9"	225°	/ SK-05336-21
N5	LT/ INST.	1	3"	150# RFWN	3'-10"	225°	/ SK-05336-21
N6	LG	1	1"	3000# COUPLING	7'-2"	180°	/ SK-05336-21
N7	LG	1	1"	3000# COUPLING	3'-10"	180°	/ SK-05336-21
LL	LIFT LUG	2	.	1/2" PLATE	7'-6"	135°/315°	/

VESSEL DESIGN DATA

VESSEL NUMBER :	V-430
SERVICE :	MIDDLE PRODUCT RESERVOIR
MANUFACTURER :	DATE OF MANUFACTURE : 2006
VESSEL SIZE :	2'-0" D.D. x 4'-5" S/S
TYPE OF HEADS :	SEMI-ELLIPTICAL
APPLICABLE STD(S)/SPEC(S) :	ASME SEC. VIII, DIV. 1, LATEST EDITION
DESIGN PRESSURE/TEMPERATURE :	50 PSIG @ 750°F
POST WELD HEAT TREATMENT :	NONE
RADIOGRAPHY :	RT-3
JOINT EFFICIENCY :	85%
DESIGN FLUID SPECIFIC GRAVITY :	1.0
SHELL MATERIAL :	ASTM SA 106 GR B
HEAD MATERIAL :	ASTM SA 234-WPB
COUPLING :	ASTM SA-105
NOZZLES :	ASTM SA 106 GR B
FLANGES :	ASTM SA 105
GASKET :	SPIRAL WOUND METALLIC, NON-ASBESTOS
CORR. ALLOW :	0.125"
INTERNALS :	NONE
INTERNAL SURFACE PREP :	NOT REQUIRED
INTERNAL COATING :	NOT REQUIRED
EXTERNAL SURFACE PREP :	SAND BLAST SSPC-SP-6
EXTERNAL PRIME :	CARBOLINE II WB ZINC PRIMER, 2-3 MILS DFT
EXTERNAL COATING :	TBD
STRUCTURAL MATERIAL :	ASTM A-36
FOUNDATION :	STEEL SKID (EXISTING)
MIST ELIMINATORS :	NONE
VESSEL WT. (EMPTY) :	700
LIQUID WT. :	980 (FLOODED)
MEDIA WT. :	0 (FLOODED)
TOTAL WT. (WET) :	1680 (FLOODED)

PROGRESS PRINT
APR 4 2006

NUMBER	SHT	REFERENCE DRAWINGS

IVANHOE ENERGY

REV. NO.	DATE	REVISED	DESTROY ALL PRINTS BEARING EARLIER DATE	REV. BY	CHK. BY	APP'D	APPROVED BY
A	04/04/06	ISSUED FOR REVIEW		JOM	TCS		

TJCross ENGINEERS

T.J. Cross AUTOCAD CONTROL
SCALE: NONE FILE: 05336/SK0533620
PLOT AT: 1=1 LAYER(S):
ENGINEER: TCS CHANGED BY: JOM
DATE STARTED: 04/01/06 LAST CHANGED: 04/04/06

V-430 MIDDLE PRODUCT RESERVOIR
HLT PLANT
BELBRIDGE FIELD
KERN COUNTY, CALIFORNIA

SK-05336-20

REVISION	SHEET
A	1/1